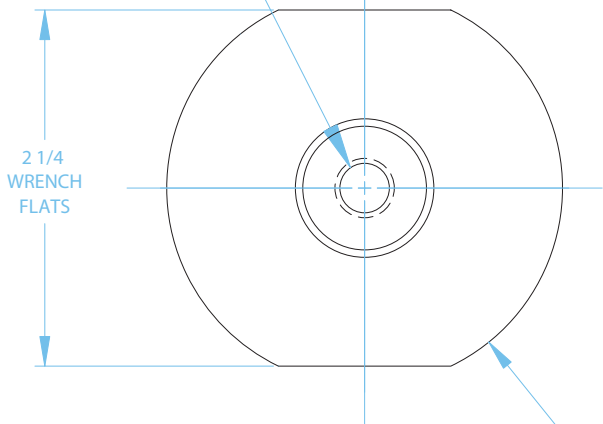
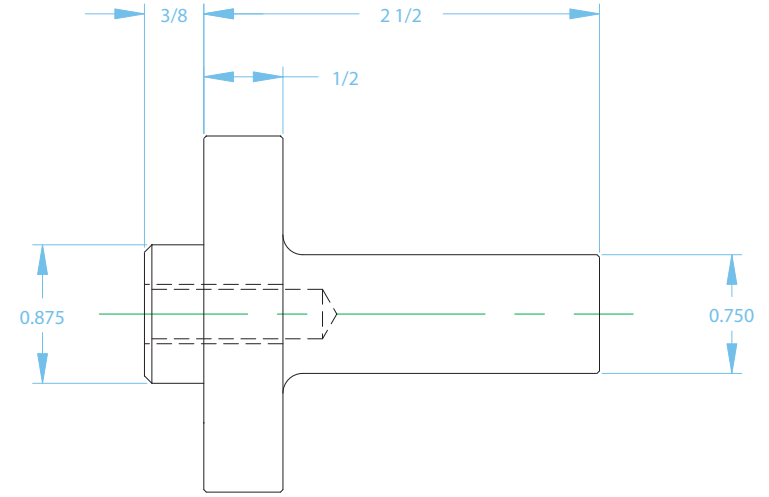


3/8-16 RH TAP 7/8 DEEP FOR P/N 90505-RH,
 3/8-16 LH TAP 7/8 DEEP FOR P/N 90505-LH



2 1/4
 WRENCH
 FLATS



Ø2 1/2

A	10/20/99	DEB	RELEASE
REV	DATE	BY	DESCRIPTION

0.0003

UNLESS OTHERWISE SPECIFIED:
 DIMENSIONS ARE IN INCHES
 REMOVE ALL BURRS
 BREAK ALL CORNERS 1/64 X 45°
 STANDARD TOLERANCES APPLY
 63 RMS MAX SURFACE FINISH
 DO NOT SCALE DRAWING

STANDARD TOLERANCES
 FRACTIONS ± 1/64
 DECIMAL .XXX ± .005
 .XXXX ± .0005
 ANGLES ± 1/2°
 THIRD ANGLE
 PROJECTION



Burr Abrador, Inc.		847-277-7099
1025 South Summit, Barrington, IL 60010		FAX: 847-277-7098
		E-MAIL: burabrador@aol.com
DRAWN	DEB	Adapter Hub, 3/4 Shank
SCALE	FULL	MATERIAL STEEL
REQUIRED		FINISH ZINC PLATE
DATE	10.20.99	HEAT TREAT
		DRAWING 90505-XX